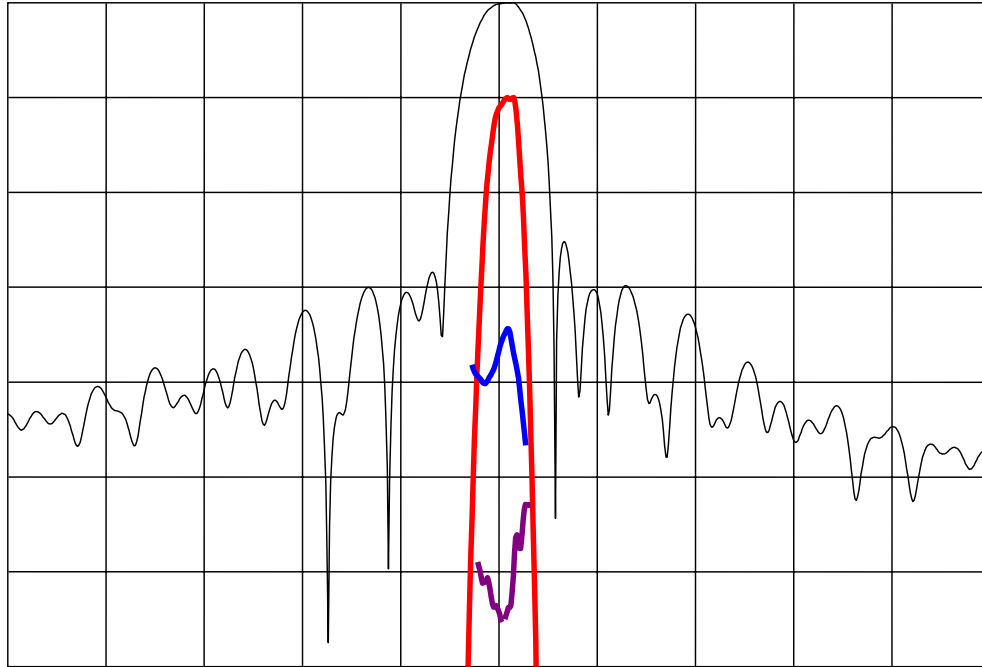


DESCRIPTION

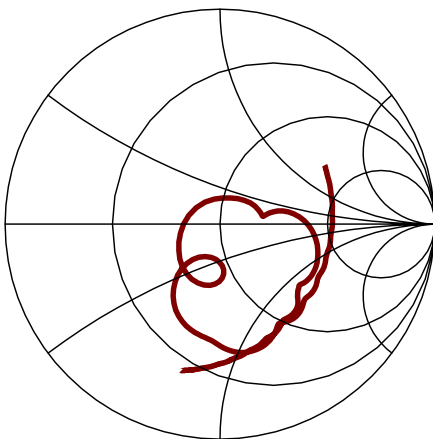
- 266.667 MHz SAW bandpass filter with 0.27 MHz bandwidth.
- 7 x 5 mm LCC package.
- RoHS compliant.

TYPICAL PERFORMANCE

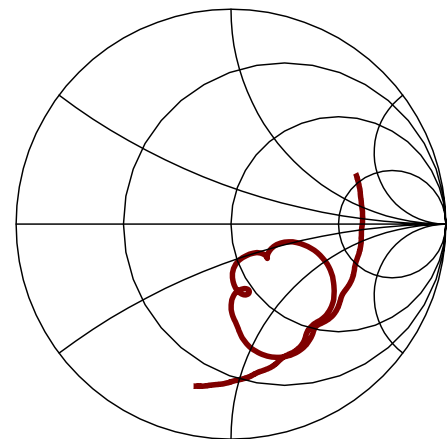


Horizontal: Frequency : 2 MHz/div
 Vertical from Top: Relative Magnitude : 10 dB/div
 Relative magnitude : 1 dB/div
 Phase Linearity : 10 deg/div
 Group Delay Deviation : 150 ns/div

S11 (256.667-276.667 MHz)



S22 (256.667-276.667 MHz)



SPECIFICATION

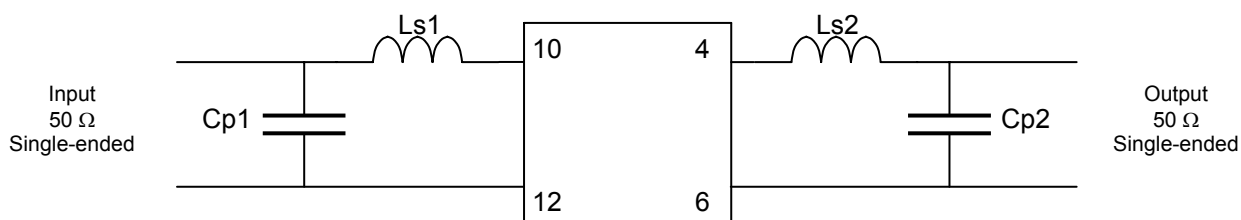
Parameter	Min	Typ	Max	Units
Nominal Center frequency (Fc, 8dB points)	-	266.667	-	MHz
Insertion Loss	-	6.2	7.5	dB
Lower 1 dB band Edge	-	266.515	266.532	MHz
Upper 1 dB Band Edge	266.802	266.825	-	MHz
Amplitude Ripple over Fc +/-135 kHz	-	0.7	1	dB p-p
Phase Ripple (Fc +/- 135 kHz)	-	3	10	deg p-p
Group delay Ripple (Fc +/- 135 kHz)	-	200	300	ns p-p
Absolute Delay	-	0.75	-	us
Lower 20 dB Band Edge	265.317	265.34	-	MHz
Upper 20 dB Band Edge	-	267.98	268.017	MHz
Rejection (253.34 to 265.317 MHz) ²	20	26	-	dB
Rejection (268.017 to 280 MHz) ²	20	27	-	dB
Rejection (280 MHz to 1.5*Fc MHz) ²	30	35	-	dB
Rejection (0.5*Fc to 253.34 MHz) ²	30	34	-	dB
Source and Load Impedance	-	50	-	Ω

- Notes:
1. Unless noted otherwise, all specifications apply over the operating temperature with filter matched to 50 ohms and measured with a 50 ohm network analyzer.
 2. Rejection levels are measured from the minimum loss in the passband.
 3. All frequency specifications are referenced to the nominal center frequency, Fc.

MAXIMUM RATINGS

Parameter	Min	Typ	Max	Units
Storage Temperature Range	-40	25	85	$^{\circ}\text{C}$
Operating Temperature Range	15	25	35	$^{\circ}\text{C}$
Input Power Level	-	0	10	dBm

MATCHING CIRCUIT



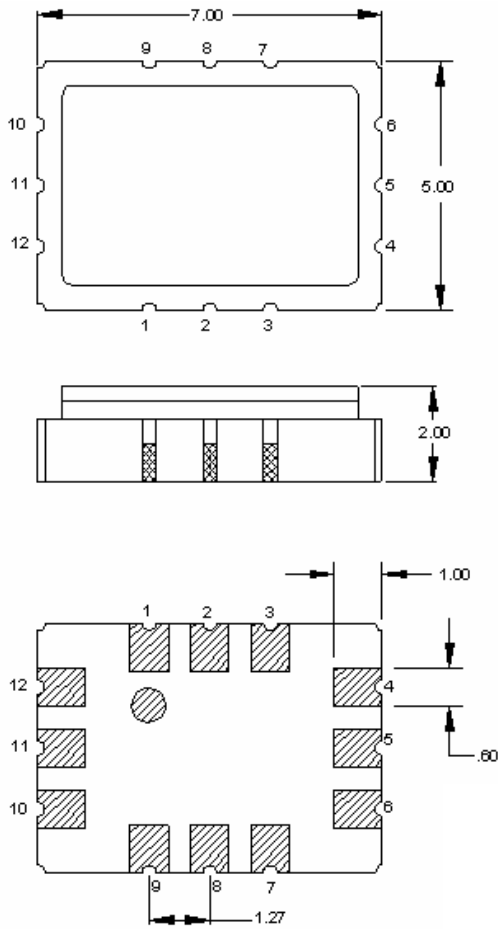
Typical component values:

$$\begin{aligned} Ls1 &= 36 \text{ nH} & Ls2 &= 47 \text{ nH} \\ Cp1 &= 22 \text{ pF} & Cp2 &= 22 \text{ pF} \end{aligned}$$

Notes:

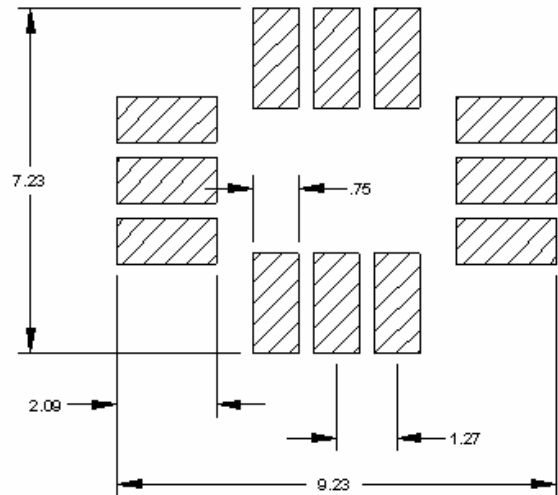
1. Recommend use of 2% tolerance matching components. Inductor Q=45.
2. Component values are for reference only and may change depending on board layout.

PACKAGE OUTLINE



Package Material:
Body: Al_2O_3 ceramic
Lid: Kovar, Ni plated
Terminations: Au plating 1 μ m min,
over a 1.3-8.9 μ m Ni plating

SUGGESTED FOOTPRINT



Units: mm

Tolerances are ± 0.15 mm except where indicated and for the overall length and width, which are nominal values.

Pad Configuration:

Input: 12
Input return: 10
Output: 6
Output return: 4
Ground : all other pads

ISO 9001
Registered

All specifications are believed to be accurate and reliable. However, Spectrum Microwave reserves the right to make changes without notice.
© 2010 All rights reserved.